

THE SUCTION EFFECT



ESE 6
RT 10000



ESE 6
RD 8000



ESE 4
RS 4000



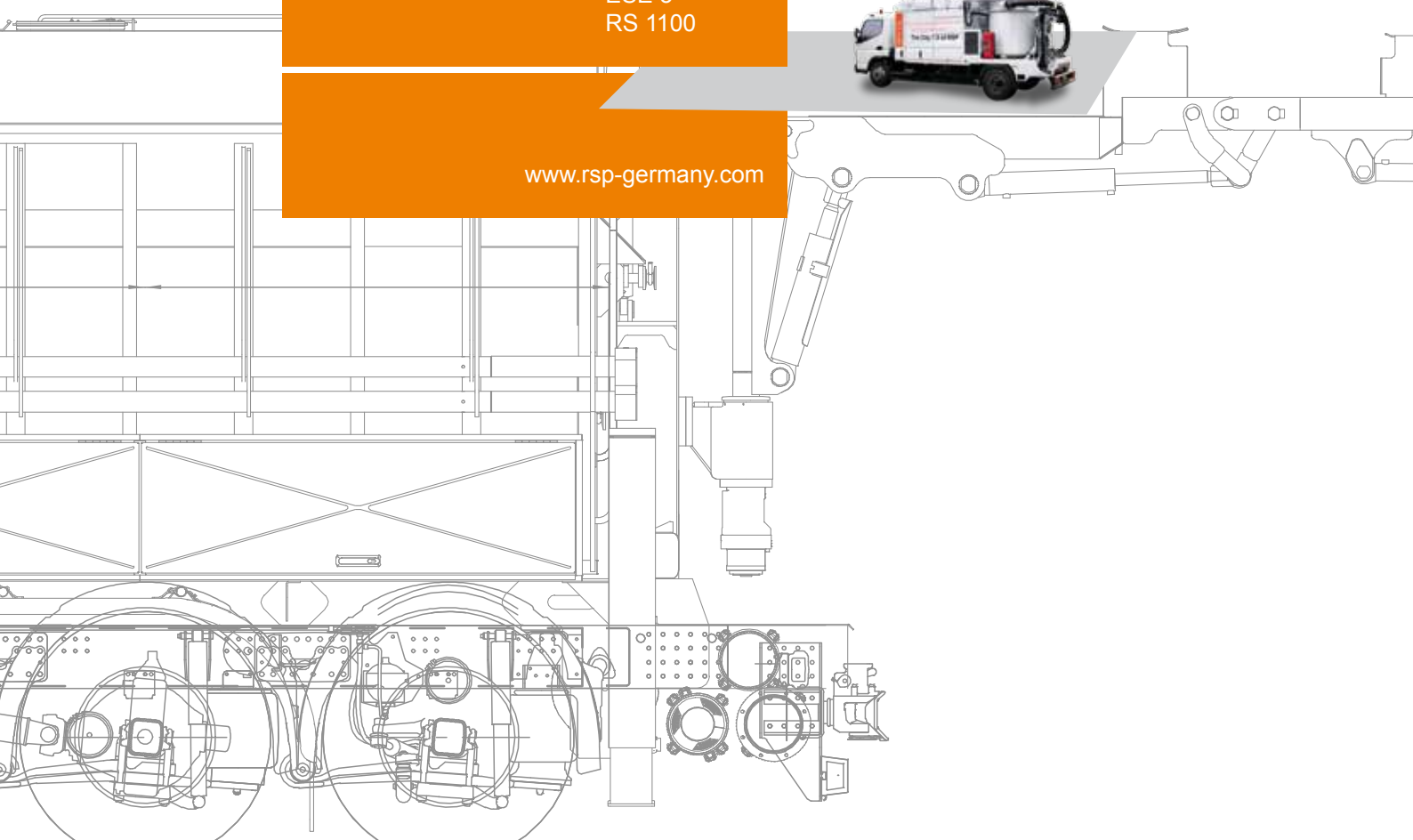
ESE 3
RS 1100 K



ESE 3
RS 1100



www.rsp-germany.com



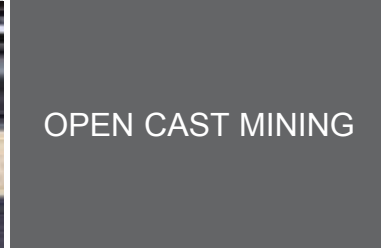
Suction Excavators – a wealth of applications.

Suction excavators represent the alternative solution to conventional manual digging. They can fully exploit their advantages when the task involves the enlargement, removal or demolition of energy, water and gas supply networks in intra-urban areas. Cities and municipalities put suction excavators on the job to clean

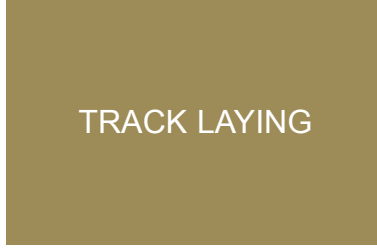
BUILDING SECTOR



BUILDING RENOVATION



CHEMICAL PLANTS



TRACK LAYING

shafts, canals, wells, or gullies. Suction excavators are best suited for operation in industrial installations because that is where safety has the highest priority. Suction excavators have already proved their worth in renovation projects and as surface cleaners, at railway construction sites and in garden and landscaping works.

CIVIL ENGINEERING



DISPOSAL



CLEANING OF FLAT ROOFS



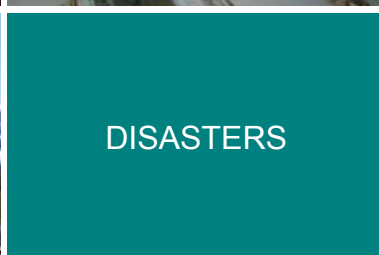
PIPE REFURBISHMENT



TUNNEL BUILDING



DISASTERS



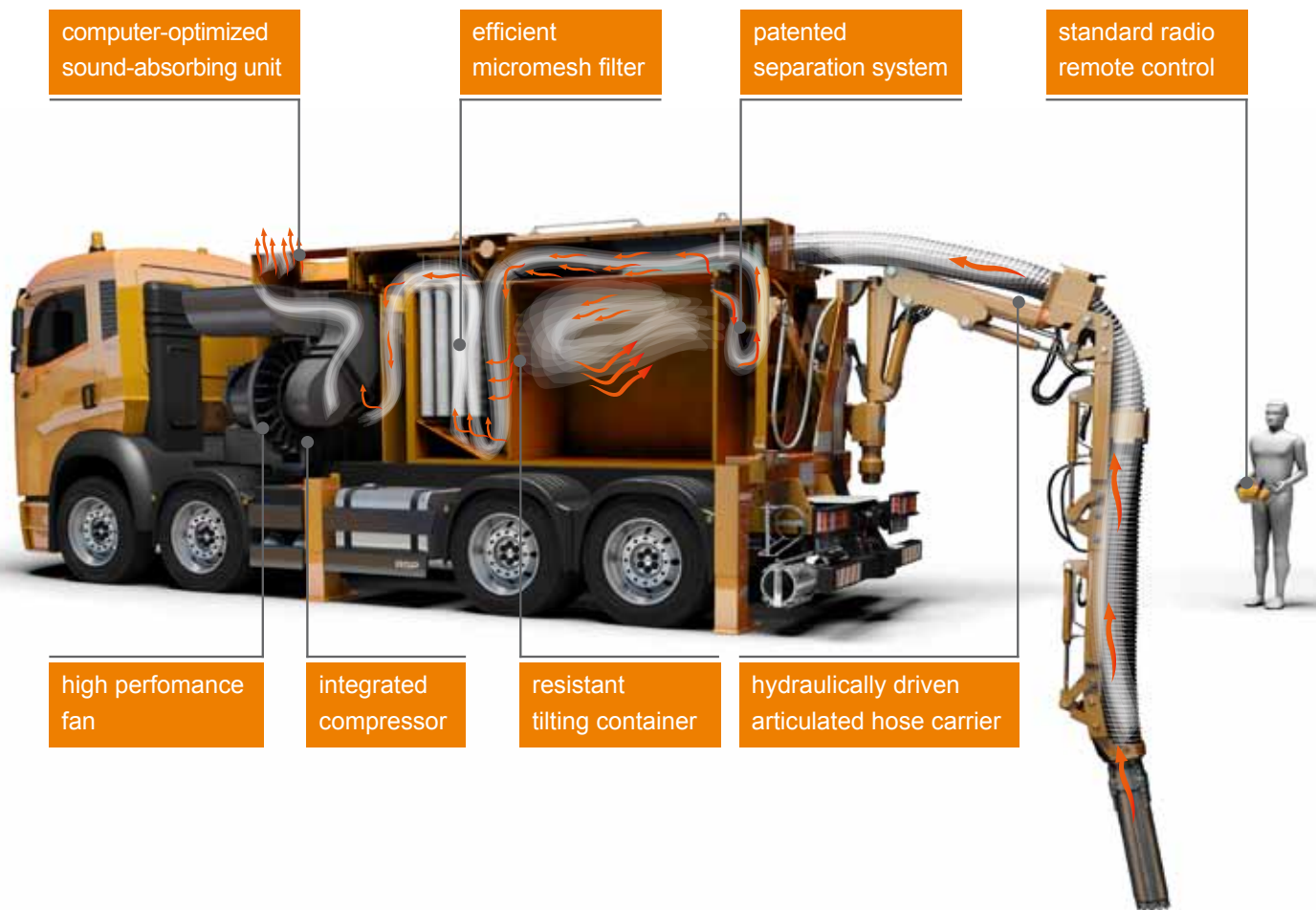
Economic efficiency.

Suction excavators are in every respect the low-cost alternative to conventional manual digging or excavation work. They ensure space-saving, quick and safe operation in many industrial areas or in applications used by the public. Their advantages are quite obvious from an economic point of view. Municipalities, enterprises, private and public clients can considerably cut down on costs since there is no more need to do cost-intensive manual excavation work and use additional machines such as dredgers, transport vehicles and compressors.

Patented suction principle.

RSP's internationally patented suction principle guarantees the highest degree of gravity separation, lowest load on the filters and thus consistently high suction performance. The fan generates an air flow of up to 44,000 m³/h* and a maximum vacuum of 55,000 Pa*. The suction hose can be moved three-dimensionally via a hydraulically operated boom. The air current removes all material through the suction crown. All types of media can be sucked up, solid materials up to 250 mm in diameter.

*depending on the suction power installed



Your local dealer:



Reschwitzer Saugbagger Produktions GmbH
Zum Silberstollen 10, 07318 Saalfeld
Phone +49 3671 5721-0
Fax +49 3671 5721-21
info@rsp-germany.com
www.rsp-germany.com.